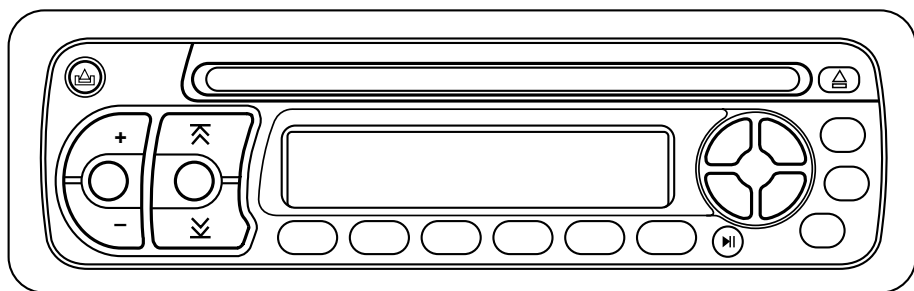


OWNER'S MANUAL

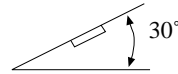


**PLL SYNTHESIZER STEREO RADIO WITH
COMPACT DISC PLAYER DIGITAL**

INSTALLATION

Notes:

- Choose the mounting location where the unit will not interfere with the normal driving function of the driver.
- Before completely installing the unit, connect the wiring temporarily and make sure it is functioning properly.
- Use only the parts included with the unit to ensure proper installation. The use of unauthorized parts can cause malfunctions.
- Consult with your Metrik dealer if installation requires the drilling of holes or other modifications of the vehicle.
- Install the unit securely and correctly to insure injury safety of the driver and the passenger if there is a sudden stop, like an emergency stop.
- If installation angle exceeds 30° from horizontal, the unit might not give its optimum performance and the CD may skip



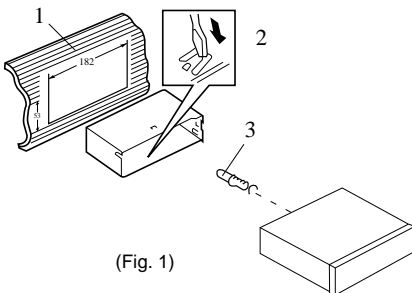
- Avoid installing the unit where it would be subject to high temperature, such as in direct sunlight, in line of vents from the heater, or where it would be subject to dust, dirt or excessive vibration.

DIN FRONT/REAR-MOUNT

This unit can be properly installed either from "Front" (conventional DIN Front-mount) or "Rear" (DIN Rear-mount installation, utilizing threaded screw holes at the sides of the unit chassis). For details, refer to the following illustrated installation methods.

DIN FRONT-MOUNT (Method A)

Installation the unit



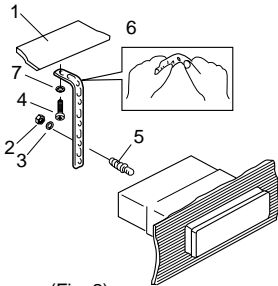
(Fig. 1)

1. Dashboard

2. Holder

After inserting the sleeve into the dashboard, select the appropriate tab according to the thickness of the dashboard material and bend them inwards to secure the sleeve in place.

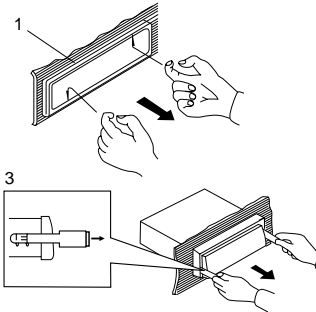
3. Rear Support Screw



(Fig. 2)

1. Dashboard
2. Nut (5mm)
3. Spring washer
4. Screw (5 x 25mm)
5. Screw
6. Strap
Be sure to use the strap to secure the back of the unit in place. The strap can be bent by hand to the desired angle.
7. Plain washer

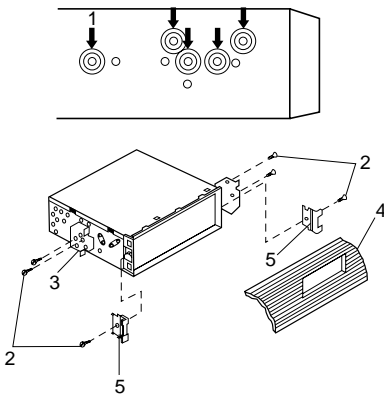
Removing the unit



1. Frame
2. Insert fingers into the groove in the front of frame and pull out to remove the frame. (When re-attaching the frame, point the side with a groove downwards and attach it.)
3. Lever
Insert the levers supplied with the unit into the grooves at both sides of the unit as shown in figure until they click. Pulling the levers makes it possible to remove the unit from the dashboard.

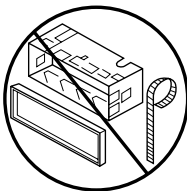
DIN REAR-MOUNT (Method B)

Installation using the screw holes on the sides of the unit.



Fastening the unit to the factory radio mounting bracket.

1. Select a position where the screw holes of the bracket and the screw holes of the main unit become aligned (are fitted), and tighten the screws at 2 places on each side. Use either truss screws (5 x 6mm) or flush surface screws (4 x 6mm), depending on the shape of the screw holes in the bracket.
2. Screw
3. Factory radio mounting bracket
4. Dashboard or Console
5. Hook (Remove this part)

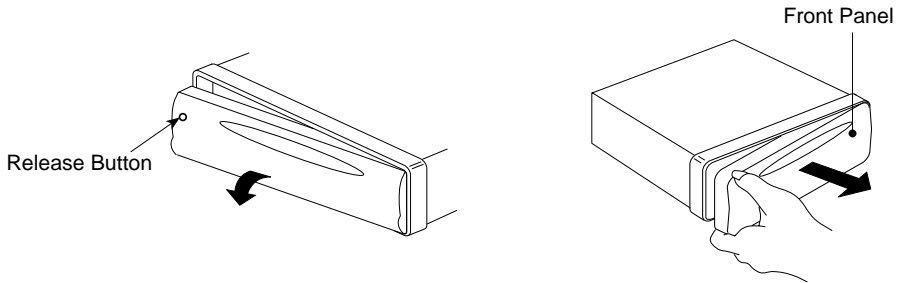


Note: The mounting box, outer trim ring, and half-sleeve are not used for this method of installation.

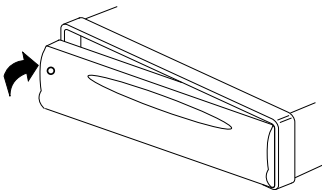
HOW TO REMOVE AND INSTALL THE FRONT PANEL

1. Press the release button and pull-off the front panel.
Place the front panel into the supplied case to protect it.
2. To install the front panel, insert the right side of the panel into the housing first, then press the left side in until it locks in place. If the panel is not correctly installed some of the function keys or the display may not function properly.

REMOVING THE FRONT PANEL



INSTALLING THE FRONT PANEL



WIRING CONNECTIONS

1. All connections should be soldered and insulated with electrical tape.
2. Be sure to connect the red power input lead to + 12V power terminal after all the other leads have been properly connected.
3. Run all ground wires to a common ground.
4. **After all the connections are completed, press the “RESET” (26) button.**

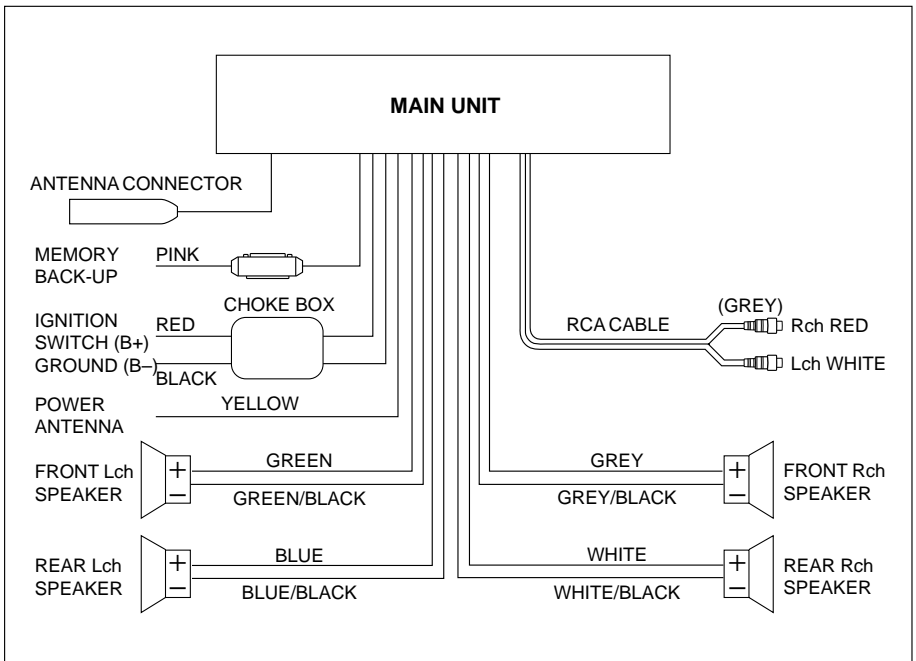
ANTENNA RELAY WIRE

A yellow wire has been provided for power antenna relays. The relay will automatically activate the antenna when the unit is turned on and retract when unit is turned off.

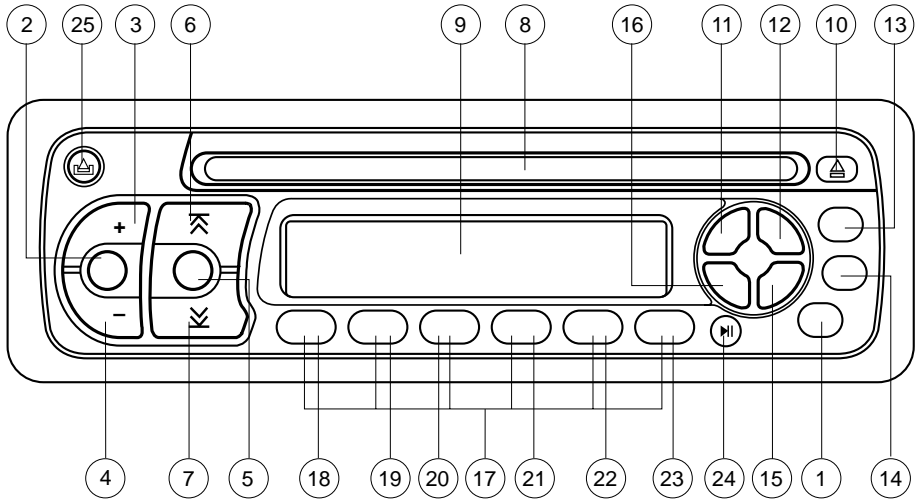
CAUTION :

Do not hook up the yellow wire directly to the antenna or damage may occur to the unit.

WIRING CONNECTIONS FOR FOUR SPEAKERS SYSTEM



Basic Operation



1.0 ON/OFF

Press **PWR** button (1) to turn on. Press **PWR** again to turn it off.

2.0 Select Mode

Press **SEL** button (2) to move display through volume, bass, treble, balance and fader functions. Use + (3) and – (4) buttons to adjust the selected mode. When mode has not been adjusted for 3 seconds, display returns to normal radio or CD display.



3.0 Volume

Adjust volume by pressing + (3) or – (4) button.

4.0 Bass

4.1 Press **SEL** button (2) two times.

4.2 Adjust Bass level using + (3) or – (4) button.

5.0 Treble

5.1 Press **SEL** button (2) three times.

5.2 Adjust Treble level using + (3) or – (4) button.

6.0 Balance

6.1 Press **SEL** button (2) four times.

6.2 Adjust sound balance left and right using + (3) or – (4) button.

7.0 Fader

7.1 Press **SEL** button (2) five times.

7.2 Adjust sound balance front and rear using + (3) or – (4) button.

8.0 Mute

Press **MUTE** (13) to silence the receiver. Press again to resume listening.

9.0 Set the Clock

10.1 Press and hold **DSP** button (11) for three seconds until the display flashes.

10.2 Press \sphericalangle (7) to change hours, \sphericalangle (6) to change minutes.

10.0 Release

Press **REL** button (25) until "tack" sound is heard, then the left-hand side of the panel will be ejected.

11.0 Reset Button Function

RESET button (26) is placed on the housing and must be activated with either a ball-point pen or thin metal object. The **RESET** button (26) is to be activated for the following reasons:

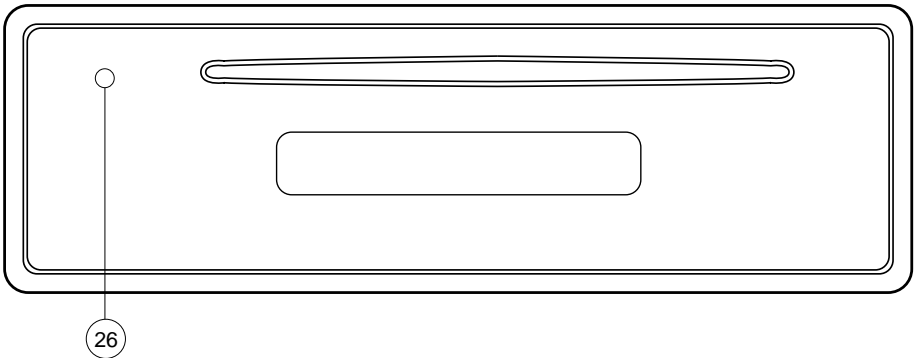
11.1 Initial installation of the unit when all wiring is completed.

11.2 All the function button didn't operate

11.3 Error symbol on the display.

12.0 Remote Sensor (Optional)

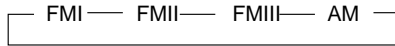
For remote control version of unit, there is a remote sensor behind the lens to receive the signal commands from remote handset.



Radio Operation

1.0 Select a Band

Press **BND** button (5) to change between three FM bands and AM/LW bands. Each band stores up to six preset stations.



2.0 Select a Station

Touch a **TUNE** button \swarrow (7) or \nearrow (6) for less than two seconds to move radio frequency number down or up on step.

Hold a **TUNE** button \swarrow (7) or \nearrow (6) for more than two seconds to seek the next clear station.

3.0 Preset Stations

Six number buttons (17) store and recall stations for each band.

3.1 Store a station:

3.1.1 Select a band (5) (if needed).

3.1.2 Select a station

3.1.3 Hold a preset button for three seconds.

3.2 Recall a station:

3.2.1 Select a band (5) (if needed).

3.2.2 Press a preset button to select stored station.

4.0 Automatically Store Stations

4.1 Press and release **AMS** button (15) immediately to scan the programs. During the preset scanning, it will stop at each program for ten seconds and the number of the channel being scanned flashes on the display. If the signal strength is lower than auto seeking threshold level, it will skip that preset station. To stop the scan operation, press either the **AMS** button (15) again or anyone of the memory button.

4.2 Press **AMS** button (15) button for more than 2 seconds to enable auto store function. If less than six stations are found, the operation will automatically stop. Auto storing follows the preset memory from M1 to M6 as soon as each corresponding auto store is completed.

5.0 LOC (For LO/DX Version Only)

Press the **LOC** button (12) to select between local and distant stations when tuning.

LOUD (For Loudness Version Only)

Press the **LOUD** button (12) to reinforce the bass especially when listening at low volume level, and the digital display will indicate "LOUD". Press it again to release this mode

6.0 MONO/ STEREO

Select stereo or monaural (Mono reception for radio stations) (14). You can sometimes improve reception of distant stations by selecting mono operation.

CD Player Operation

1.0 Insert and Eject CD

Insert a CD into the loader slot. The CD will begin to play.
Press **▲** (eject) (10) to stop CD play and eject the CD. The Receiver automatically switches to radio operation.

2.0 Skip Tracks

Press **TUNE** **↘** (7) or **↙** (6) to advance CD to next track. Track numbers show on display.

3.0 Pause CD

During CD player operation, press **▶||** button (24) pause CD play. **"PAUS"** appears in the display. Press again to resume play.

4.0 Fast Forward and Fast Reverse

Hold **TUNE** **↘** (7) or **↙** (6) to fast reverse or fast forward. CD play starts from when you release the button.

5.0 Intro: Preview all Tracks

Press **SCN** (18) to play first ten seconds of each track on current CD. Press again to stop intro and listen to track.

6.0 Repeat the Same Track

Press **RPT** (19) to continuously repeat the same track. Press again to stop repeat.

7.0 Random: Play all Tracks

Press **RDM** (21) to play all tracks on CD in random order one time. Press again to stop random play.

8.0 Repeat Selection (RPT A-B)

The Repeat A-B function allows you to continuously repeat a selection of music.

8.1 Press **RPT A-B** (20) to set the beginning point (A).

8.2 Press **RPT A-B** (20) again to set the end point (B).

The chosen selection of music will repeat over and over until RPT A-B is pressed again.

9.0 Program CD Tracks

Use Program function to select up to 24 CD tracks to play in any order. Program works by allowing you to select a track number for each spot in the playing sequence. A CD must be inserted to use Program.

9.1 Press **TUNE** **↘** (7) or **↙** (6) to choose track number.

9.2 Press **MEM/CLR** (23) to enter track number into memory. Display shows next track number in sequence. Continue (up to 24 times) for all desired tracks.

9.3 Press **PGM** (22) to play CD in programmed order.

Note:

- * Driving on bumpy roads may cause CD player to skip. A short break-in period will improve performance. **Skipping does not damage CDs in any way.**
- * Moisture and high humidity can cause malfunction of CD player. Turn on vehicle heater and allow moisture to evaporate before use.
- * Do not expose CD player to extremely high or low temperatures.
- * Do not drive with ejected CD in slot.

SPECIFICATION

GENERAL

- Power Supply Requirements : DC 12 Volts, Negative Ground ONLY
- Chassis Dimensions : 178 (W) X 155 (D) X 50 (H)
- Tone Controls
 - Bass (at 100 Hz) : +10 dB/-10 dB
 - Treble (at 10 KHz) : +10 dB/-10 dB
- Maximum Output Power : 25W X 4 (ch)

CD PLAYER

- Signal to Noise Ratio : < 60 dB
- Channel Separation : < 60 dB
- Frequency Response : 20 Hz - 20 KHz

RADIO

- FM
 - Frequency Coverage : 87.5 to 107.9 MHz
 - IF : 10.7 MHz
 - Sensitivity (S/N = 30 dB) : 3 uV
 - Stereo Separation : > 30 dB

- AM
 - Frequency Coverage : 530 to 1710 KHz
 - IF : 450 KHz
 - Sensitivity (S/N = 20 dB) : 32 dBu

TROUBLE SHOOTING

Before going through the check list, check all wiring connections. If any of the problems persist after check list has been completed, consult your Metrik dealer.

Symptom	Cause	Solution
No power.	The car ignition is not on.	If the power supply is properly connected to the car accessory terminal, switch the ignition key to "ACC".
	The fuse is blown.	Replace the fuse.
Disc cannot be loaded or ejected.	Presence of CD disc inside the player.	Remove the disc in the player, then put a new one.
	Inserting the disc in reverse direction.	Insert the compact disc with the label facing upward.
	Compact disc is extremely dirty or defective disc.	Clean the disc or try to play a new one.
	Temperature inside the car is too high.	Cool off or until the ambient temperature return to normal.
	Condensation.	Leave the player off for an hour or so, then try again.
No sound.	Volume is in minimum.	Adjust volume to a desired level.
	Wiring is not properly connected.	Check wiring connection.
The operation keys do not work.	The built-in microcomputer is not operating properly	Press the RESET button. Front panel is not properly locked in place.
CD skips.	The installation angle is more than 30 degrees.	Adjust the installation angle to less than 30 degrees.
	The disc is extremely dirty or is defective.	Clean the compact disc. Then try to play a new one.
The radio does not work. The radio station automatic selection does not work.	The antenna cable is not connected. The signals are too weak.	Insert the antenna cable firmly. Select a station manually.

LIMITED ONE YEAR WARRANTY

This warranty shall be in effect for a period of one year from the date of the first consumer purchase. This warranty is valid during the warranty period providing that proof of date of purchase from an authorized dealer is presented whenever warranty service is required.

To receive service for this product return it to the Metrik dealer from whom it was purchased and such dealer will arrange for service. If shipment of the product is required, it should be packed securely. The original dated bill of sale, or a legible copy, must be included with the product as proof of warranty coverage.

Metrik will pay for all labor and material expenses required to repair the product, only. Labor expense for the removal and installation of the product is the sole responsibility of the consumer. If the product is shipped, the consumer must prepay the initial shipping charge to us; Metrik will pay the return shipping charges to the consumer.

Except as otherwise specified, this warranty covers all defects in material and workmanship. The following are not covered: damage resulting from accident, misuse, abuse, neglect, product modification, improper installation, incorrect line voltage, unauthorized repair or failure to follow instructions supplied with the product, damage occurring during shipment (claims must be filed with the carrier), elimination of car static or other electrical interferences, any product purchased outside of North America or on which the serial number has been defaced, modified or removed.

All implied or statutory warranties and conditions, including warranties or conditions of merchantability, fitness for particular purposes and non-infringement are limited in duration to the length of this warranty.

Metrik's liability is limited to the repair or replacement, at our option, of any defective product and shall not include incidental or consequential economic damages of any kind. Some states or provinces have differing limitations. This warranty gives you specific rights and you may also have other rights, which vary depending of the state or province in which you reside.

METRIK MOBILE ELECTRONICS

a division of SAMSON ELECTRONICS, INC.

3400 E. SLAUSON AVE.; MAYWOOD, CA 90270

TOLL FREE: 866-572-6766